

Automation & Workholding Solutions: Tables, Part Racks, Grippers



**Our Custom
Fabricated Tables
+ Part Racks
suit your need**

We offer the full line of



cobots to fill your production scale labor gaps with quick ROI. These all-aluminum clad, IP67 rated bots hold up to machining chips, welding slag, food service and more with reliability and precision.

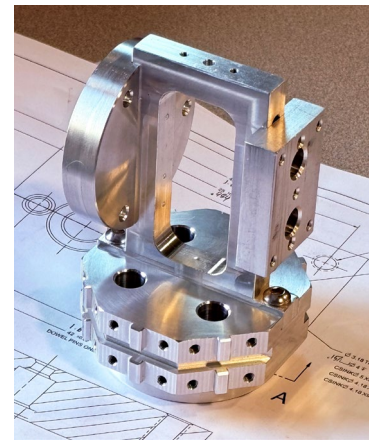
We also feature:



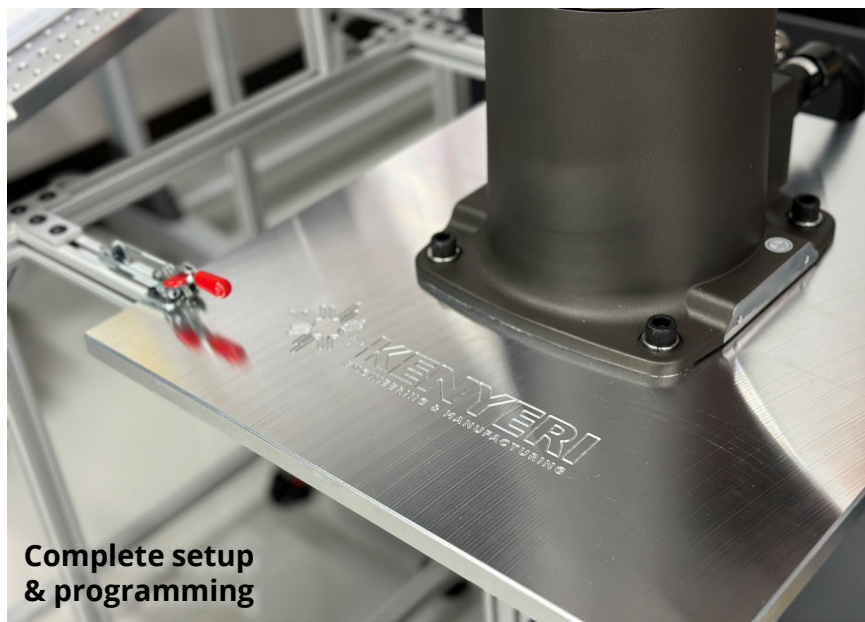
QUIET VACUUM GRIPPERS



**Our 2-gripper
adapters expand
what your
cobot can do**



Custom Jaws for your End Effector



**Complete setup
& programming**